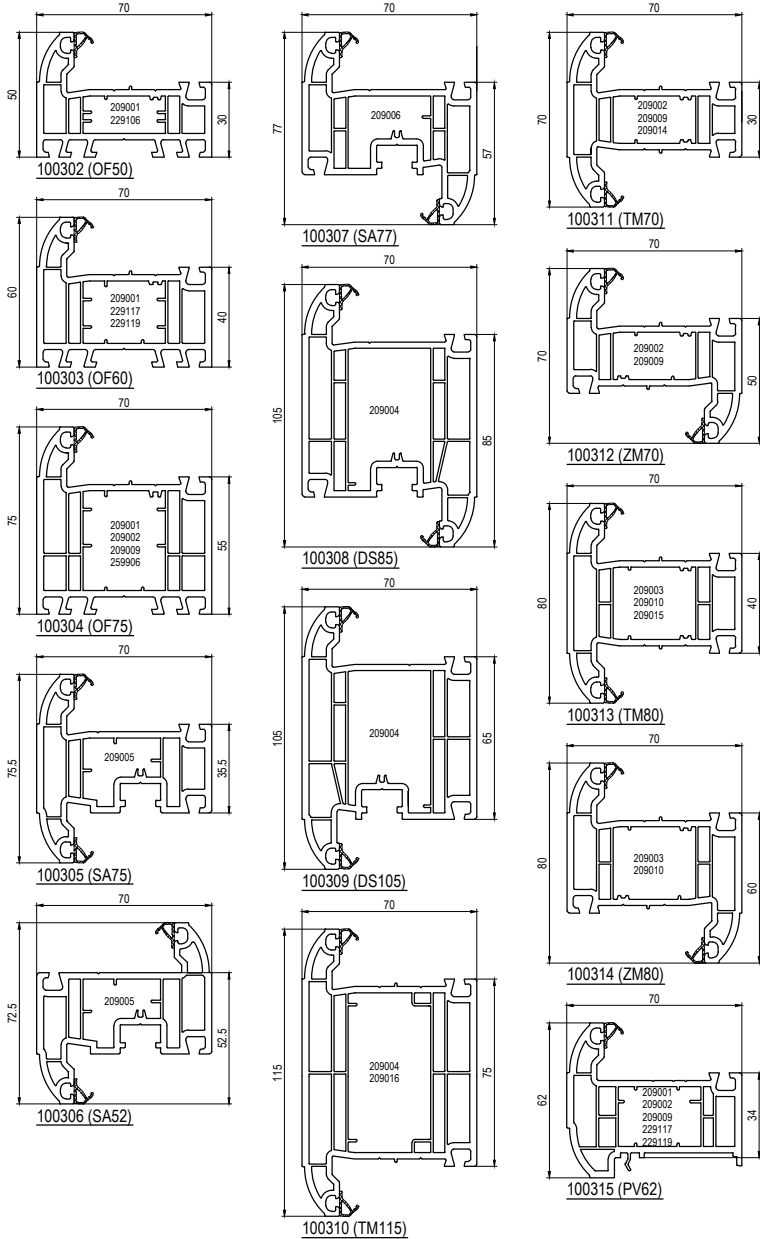
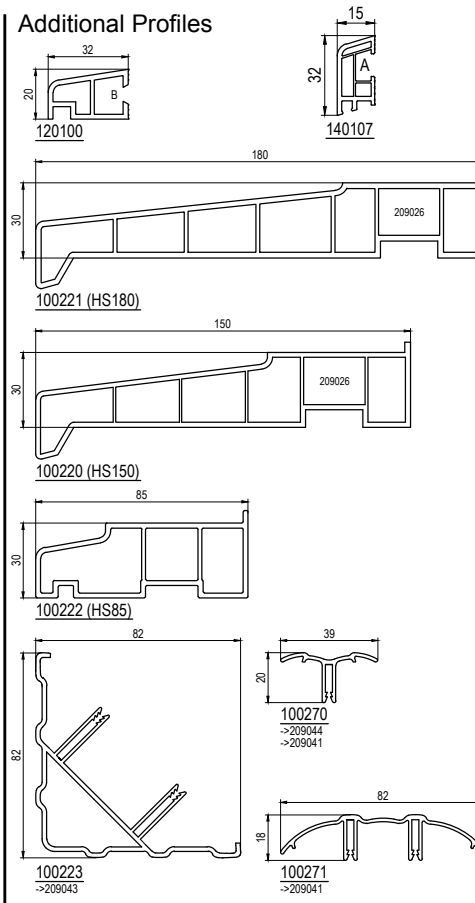


outward and inward

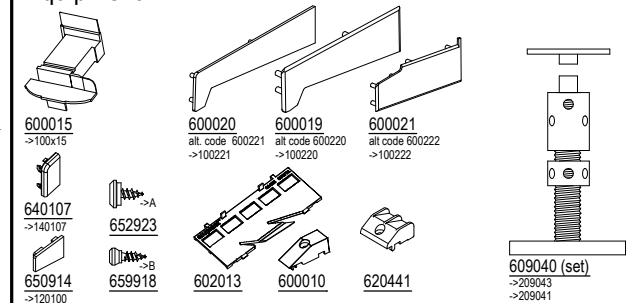
Main Profiles



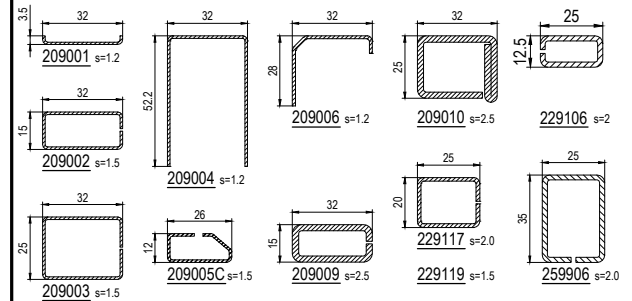
Additional Profiles



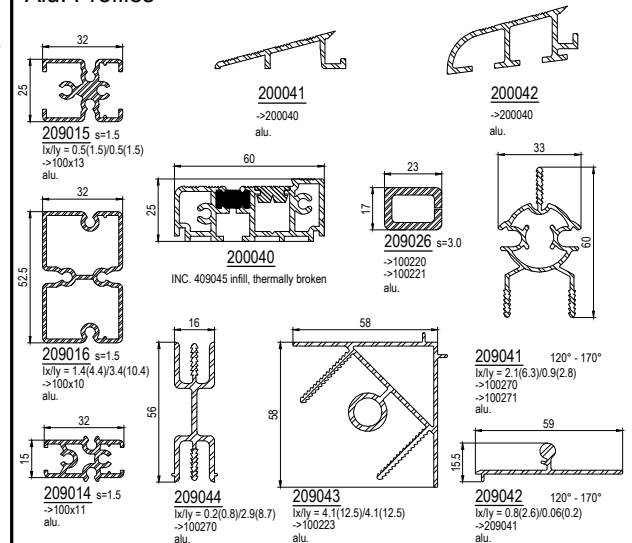
Equipment



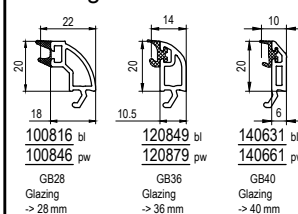
Reinforcements



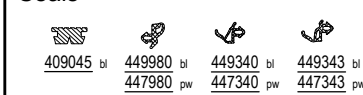
Alu. Profiles



Glazing Beads



Seals



Main profile codes listed for profiles with black seals. For grey seal options please consult your Pricelist.

May be subject to change, omissions and errors excepted! For foiled profiles, gasket and substrate options please refer to your Pricelist

DIN A1 -> DIN A4 / DIN A3

Draughtsman: RTH

Filename: *IDEAL_70*

Issue: 2011-05

Language: English (GB) english